

PanelView Standard Terminal Specifications

Catalog Numbers 2711



| Topic | Page |
|------------------------------|------|
| PanelView Standard Terminals | 1 |
| Environmental Specifications | 2 |
| Certifications | 3 |
| Technical Specifications | 4 |
| Dimension Drawings | 8 |
| Product Selection | 10 |
| Accessories | 13 |
| PanelBuilder32 Software | 15 |
| Cables | 16 |
| Additional Resources | 22 |

PanelView Standard Terminals

The PanelView Standard terminals feature pixel graphics capabilities and functionality in color, grayscale, and monochrome displays. These rugged electronic operator interface solutions are available in a variety of sizes and configurations to meet specific application requirements. All use common development software to simplify programming and improve operator productivity.

These terminals communicate with PLC and SLC controllers over EtherNet/IP, DeviceNet, ControlNet, DH-485, DH+, and remote I/O networks, or by using serial communication.

Other features supported by the PanelView Standard line include advanced alarm handling, screen security, analog gauges, ATA memory card, universal language support, and online printing for more intuitive operator control.

Environmental Specifications

This table lists the environmental specifications for the family of PanelView Standard terminals.

Table 1 - Environmental Specifications- PanelView Standard Terminals

| Attribute | 2711 PanelView Standard 300, 300 Micro, 550, 1000 |
|-------------------------------|--|
| Temperature, operating | 0...55 °C (32...131 °F) 600 color: 0...50 °C (32...122 °F) |
| Temperature, storage | 550 -20...70 °C (-4...158 °F) 300 Micro -20...85 °C (-4...185 °F) 300, 600, 1000 -25...70 °C (-13...158 °F) |
| Heat dissipation | 300 Micro 2.5 W (8.5 BTU/hr) 300 6 W (13 BTU/hr) 550 20 W (69 BTU/hr) 600 keypad 32 W (107 BTU/hr) 600 touch 17 W (577 BTU/hr) 1000 39 W (132 BTU/hr) |
| Relative humidity | 300 Micro, 600 keypad, 1000 5...95% noncondensing at 0...55 °C (32...131 °F) 300, 550 5...95% noncondensing at 0...30 °C (32...86 °F) 600 touch 5...95% noncondensing at 0...40 °C (32...104 °F) |
| Vibration operating | 2 g up to 2000 Hz |
| Altitude, operating | 2000 m (6561 ft) |
| Shock, operating/nonoperating | 300 Micro, 550, 300, 600, 1000 30 g/50 g 15 g/30 g |
| Enclosure ratings | NEMA Type 12, 13, 4X (indoor use only), IEC IP54, IP65 |
| Airborne contaminants | ANSI/ISA S71.04 - 1985 Severity Level G3 300 conformal-coated only EN60654-4: 1998 Class 3 |

Certifications

This table lists the certifications for the family of PanelView Standard terminals.

Table 2 - Certifications - PanelView Standard Terminals

| Certification ⁽¹⁾ | 300 Micro | 300 | 550 | 600 | 1000 |
|--|--------------|----------------------|----------------------|------------------|------|
| Emissions (Class A: Industrial EN50081-2:1993) | • | • | • | • | • |
| Immunity (Industrial) EN61000-6-2:1999 | • | • ⁽²⁾ | • | • | • |
| Immunity (Industrial) EN50082-212:1995 ⁽³⁾ | • | • | • | • | • |
| Programmable Controllers Equipment Requirements and Tests EN61131-2:1995 | | • | • | • | • |
| Low Voltage Directive (Safety Sections of EN61131-1) | | | • | • ⁽⁴⁾ | • |
| UL508 | • | • | • | • | • |
| UL1604 Class 1, Div 2, Groups A, B, C, D, T4 | • | • | • ^{(5) (6)} | • | • |
| UL2279 (IEC79-15) Class 1, Zone 2, Groups IIC, T4 | | | | • | • |
| CSA 22.2, No. 142 | • | • | • | • | • |
| CSA 22.2, No. 213 Class 1, Div 2, Groups A, B, C, D, T4 | • | • ^{(5) (6)} | • | • | • |
| EU Batteries Directive, 2006/66/EC | • | • | • | • | • |

(1) When marked. See the Product Certification link at <http://www.ab.com> for Declarations of Conformity, Certificates, and other certification details.

(2) Meets standard as of April 2002.

(3) Standard applies to products manufactured prior to April 2002.

(4) Does not apply to 600 touch-screen only terminals.

(5) 550 (series H or later) or 550 touch-screen only (series B or later).

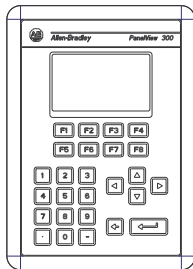
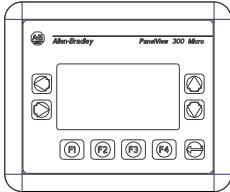
(6) 550 (series G or earlier) and 550 touch-screen (series A) have a temperature code rating of T2.

Technical Specifications

Tables 3...6 summarize the technical specifications for PanelView Standard terminals.

PanelView Standard 300 Micro and 300 Terminals

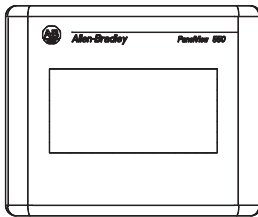
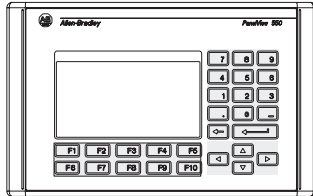
Table 3 - Technical Specifications - PanelView Standard 300 Micro/300 Terminals



| Attribute | PanelView 300 Micro 2711-M3A18L1, 2711-M3A19L1 | PanelView 300 2711-K3A2L1, 2711-K3A5L1, 2711-K3A5L1K, 2711-K3A10L1, 2711-K3A17L1 |
|-----------------------------|---|---|
| Operator input | Keypad | Keypad |
| Display type | Monochrome transfective LCD with LED backlight | |
| Display area (WxH) | 73 x 42 mm (2.87 x 1.67 in.) | |
| Resolution | 128 x 64 | |
| Backlight | 100,000 hr LED backlight life | |
| Touch screen | — | — |
| Keypad description | Stainless steel domed membrane Navigation, function keys Actuation: 2 million presses | |
| Keypad function keys | 4 function keys (F1...F4) | 8 function keys (F1...F8) |
| Real-time clock | Battery-backed clock timestamps critical data | |
| Battery | Not replaceable | |
| Application memory | 170 KB application runtime 240 KB nonvolatile memory (application objects plus text and bitmaps) | |
| ATA memory card | Not supported | Supported |
| Software | PanelBuilder32 software, runs on a personal computer | |
| Communication ports | RS-232 (DH-485) RS-232 (DF1) | DeviceNet DH-485 RS-232 (DH-485) RS-232 (DF1) |
| RS-232 printer port | — | 1200, 2400, 9600, 19,200 Kbps |
| Input voltage, DC | 11...30V DC (24V DC nom) | 18...32V DC (24V DC nom) |
| Power consumption, DC | 25 W max (0.105 A at 24V DC) | 10 W max (0.42 A at 24V DC) |
| Input voltage, AC | — | — |
| Power consumption, AC | — | — |
| Weight, approx. | 284 g (10 oz.) | 673 g (1.48 lb) |
| Dimensions (HxWxD), approx. | 133 x 111 x 48 mm 5.23 x 4.38 x 1.87 in. | 197 x 140 x 82 mm 7.76 x 5.53 x 3.21 in. |

PanelView Standard 550 Terminals

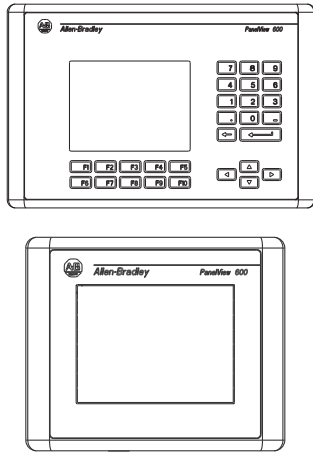
Table 4 - Technical Specifications - PanelView Standard 550 Terminals



| Attribute | PanelView 550 2711-K5A, 2711-B5A | PanelView 550 2711-T5A |
|-----------------------------|---|---|
| Operator input | Keypad or key/touch | Touch screen |
| Display type | Monochrome LCD blue mode display | |
| Display area (WxH) | 120 x 60 mm (4.75 x 2.38 in.) | |
| Resolution | 256 x 128 | |
| Backlight | 100,000 hr LED backlight life | |
| Touch screen | Touch cells: 128 Actuation: 1 million presses | |
| Keypad description | Stainless-steel domed membrane Keypad, navigation, function keys Actuation: 1 million presses | — |
| Keypad function keys | 10 function keys (F1...F10) | — |
| Real-time clock | Battery-backed clock timestamps critical data | |
| Battery | Field replaceable | |
| Application memory | 170 KB application runtime 240 KB nonvolatile RAM (application objects plus text and bitmaps) | |
| ATA memory card | Supported | |
| Software | PanelBuilder32 software, runs on a personal computer | |
| Communication ports | EtherNet/IP, DeviceNet, ControlNet, DH+, Remote I/O, DH-485, RS-232 (DH-485), RS-232 (DF1) | |
| RS-232 printer port | 1200, 2400, 9600, 19,200 Kbps | |
| Input voltage, DC | 18...30V DC (24V DC nom) | 18...32V DC (24V DC nom) |
| Power consumption, DC | 18 W max (0.75 A at 24V DC) | 18 W max (0.75 A at 24V DC) |
| Input voltage, AC | 85...264V AC, 47...63 Hz | — |
| Power consumption, AC | 45VA max | — |
| Weight, approx. | 1.2 kg (2.7 lb) | 0.93 kg (2.1 lb) |
| Dimensions (HxWxD), approx. | 167 x 266 x 106 mm 6.57 x 10.47 x 4.17 in. | 152 x 185 x 82 mm 6.0 x 7.28 x 3.2 in. |

PanelView Standard 600 Terminals

Table 5 - Technical Specifications - PanelView Standard 600 Terminals



| Attribute | PanelView 600 Color 2711-K6C, 2711-B6C | PanelView 600 Color 2711-T6C |
|-----------------------------|---|--|
| Operator input | Keypad or key/touch | Keypad |
| Display type | Color active matrix TFT | |
| Display area (WxH) | 115 x 86 mm (4.54 x 3.4 in.) | 115 x 87 mm (4.54 x 3.43 in.) |
| Resolution | 320 x 234 | 320 x 240 |
| Backlight | Field replaceable 50,000 hr 1/2 life at 25 °C (77 °F) | |
| Touch screen | Touch cells: 128 Actuation: 1 million presses | |
| Keypad description | Stainless steel domed membrane Keypad, navigation, function keys Actuation: 2 million presses | — |
| Keypad function keys | 10 function keys (F1...F10) | |
| Real-time clock | Battery-backed clock timestamps critical data | |
| Battery | Field replaceable | — |
| Application memory | 190 KB application runtime 240 KB nonvolatile memory (application objects plus text and bitmaps) | |
| ATA memory card | Not supported | Supported |
| Software | PanelBuilder32 software, runs on a personal computer | |
| Communication ports | EtherNet/IP, DeviceNet, ControlNet, DH+, Remote I/O, DH-485, RS-232 (DH-485), RS-232 (DF1) | |
| RS-232 printer port | 1200, 2400, 9600, 19,200 Kbps | — |
| Input voltage, DC | 18...32V DC (24V DC nom) | |
| Power consumption, DC | 34 W max (1.9 A at 24V DC) | 24 W max (1.0 A at 24V DC) |
| Input voltage, AC | 85...264V AC, 47...63 Hz | — |
| Power consumption, AC | 60VA max | — |
| Weight, approx. | 2.0 kg (4.4 lb) | 1.0 kg (2.3 lb) |
| Dimensions (HxWxD), approx. | 192 x 290 x 116 mm 7.55 x 11.40 x 4.57 in. | 152 x 185 x 96 mm 6.0 x 7.28 x 3.80 in. |

PanelView Standard 1000 Terminals

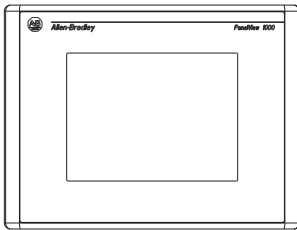
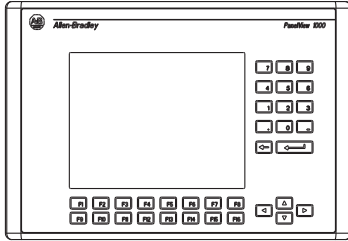


Table 6 - Technical Specifications - PanelView Standard 1000 Terminals

| Attribute | PanelView 1000 Grayscale 2711-K10G, 2711-B10G | PanelView 1000 Color 2711-K10C, 2711-T10C |
|-----------------------------|---|---|
| Operator Input | Keypad or touch screen | Keypad or touch screen |
| Display type | Black/white monochrome | Color active matrix TFT |
| Display area (WxH) | 211 x 158 mm (8.3 x 6.2 in.) | |
| Resolution | 640 x 480 | |
| Backlight | field replaceable 50,000 hr 1/2 life at 25 °C (77 °F) | |
| Touch screen | Touch cells: 384 Actuation: 1 million presses | |
| Keypad description | Stainless-steel domed membrane Keypad, navigation, function keys Actuation: 1 million presses | — |
| Keypad function keys | 16 function keys (F1...F16) | — |
| Real-time clock | Battery-backed clock timestamps critical data | |
| Battery | Field replaceable | |
| Application memory | 310 KB application runtime 1008 KB nonvolatile memory (application objects plus text and bitmaps) | |
| ATA memory card | Supported | |
| Software | PanelBuilder32 software, runs on a personal computer | |
| Communication ports | EtherNet/IP, DeviceNet, ControlNet, DH+, Remote I/O, DH-485, RS-232 (DH-485), RS-232 (DF1) | |
| RS-232 printer port | 1200, 2400, 9600, 19,200 Kbps | |
| Input voltage, DC | 18...32V DC (24V DC nom) | |
| Power consumption, DC | 24 W max (1.0 A at 24V DC) | |
| Input voltage, AC | 85...264V AC, 47...63 Hz | |
| Power consumption, AC | 55VA max | |
| Weight, approx. | Keypad: 3.3 kg (7.2 lb) Touch: 3.2 kg (7.0 lb) | Keypad: 3.7 kg (8.2 lb) Touch: 3.6 kg (7.9 lb) |
| Dimensions (HxWxD), approx. | Keypad: 282 x 423 x 112 mm 11.11 x 16.64 x 4.40 in. Touch: 282 x 370 x 112 mm 11.11 x 14.58 x 4.40 in. | |

Dimension Drawings

Figures 1...5 provide dimension drawings for the PanelView Standard family of terminals.

Figure 1 - Dimensions - PanelView 300 Micro Terminal

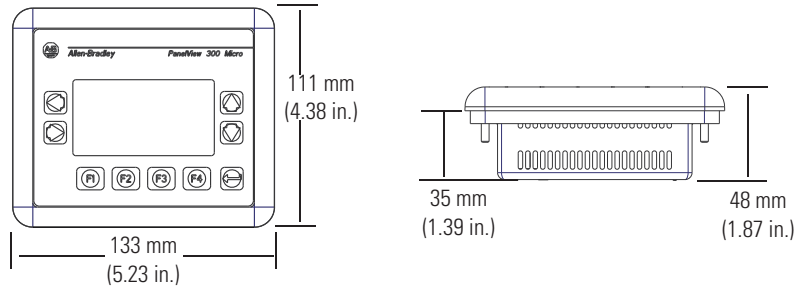


Figure 2 - Dimensions - PanelView 300 Terminal

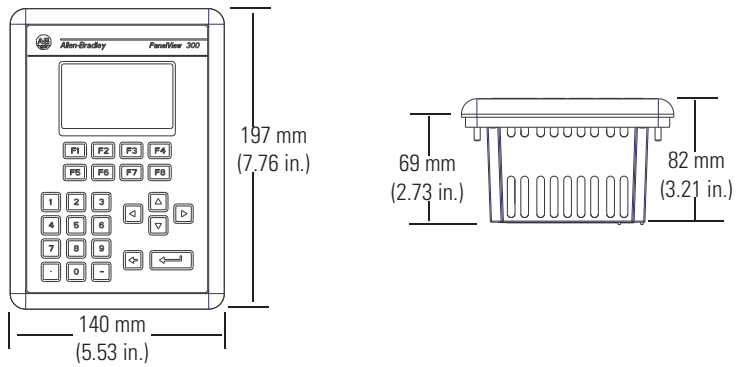


Figure 3 - Dimensions - PanelView 550 Terminals

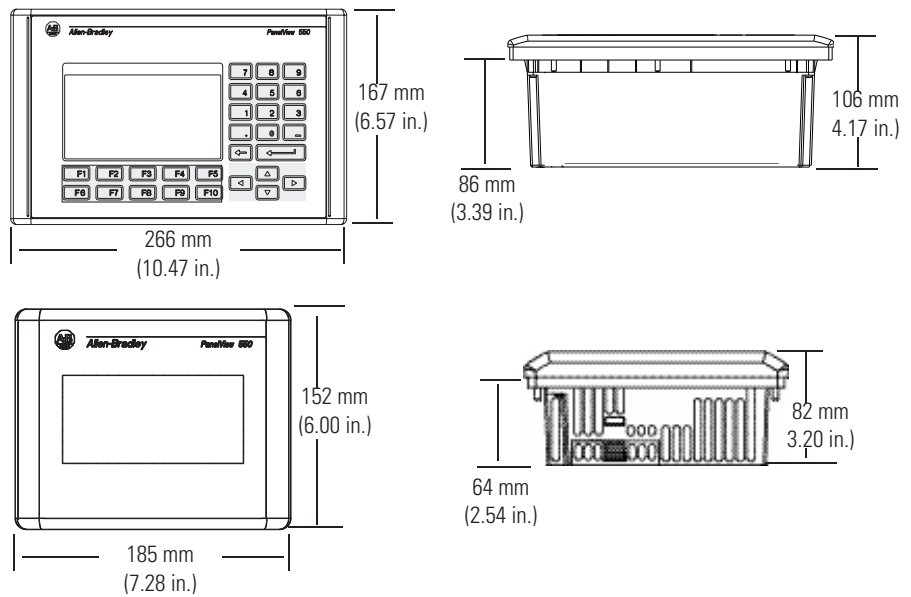


Figure 4 - Dimensions - PanelView 600 Terminals

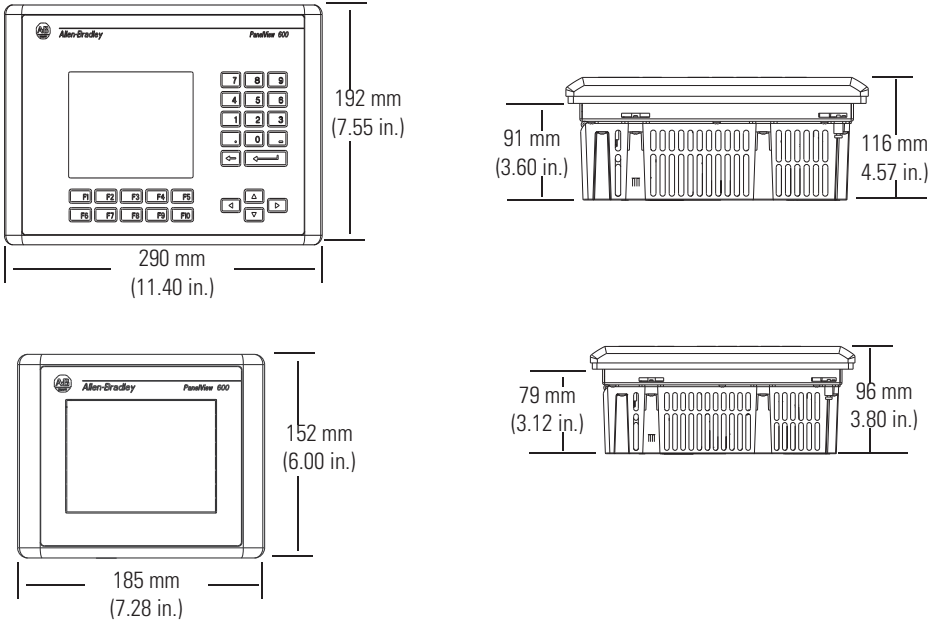
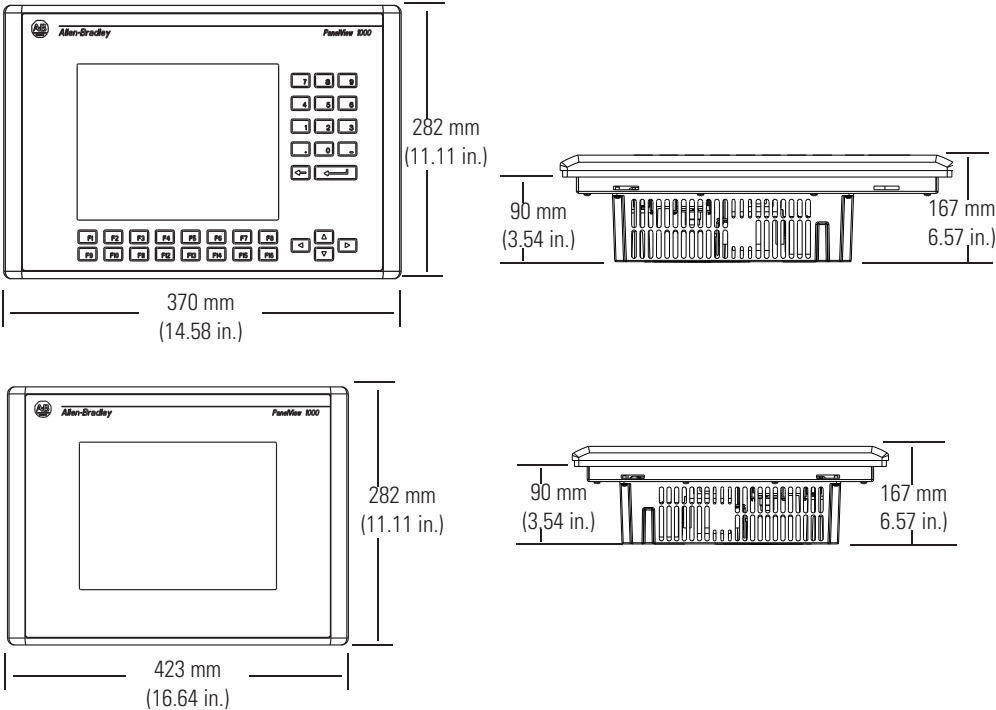


Figure 5 - Dimensions - PanelView 1000 Terminals



Product Selection

Tables 7...11 provide a list of catalog numbers for the PanelView Standard terminals.

Table 7 - PanelView 300 Monochrome Terminals

| Cat. No. | Input | Display | | Communication | Power | Memory Nonvolatile/RAM |
|--------------------------------|--------|---------|------------|----------------------|-------|------------------------|
| | | Size | Type | | | |
| 2711-K3A2L1 ⁽¹⁾ | Keypad | 3 in. | Monochrome | DH-485 | DC | 240 KB/170 KB |
| 2711-K3A5L1 ⁽¹⁾ | Keypad | | | RS-232 (DH-485) | DC | 240 KB/170 KB |
| 2711-K3A5L1K ⁽¹⁾⁽²⁾ | Keypad | | | RS-232 (DH-485) | DC | 240 KB/170 KB |
| 2711-K3A10L1 | Keypad | | | DeviceNet and RS-232 | DC | 240 KB/170 KB |
| 2711-K3A17L1 ⁽³⁾ | Keypad | | | RS-232 (DF1) | DC | 240 KB/170 KB |

(1) Terminals with a DH-485 communication port require application uploads and downloads through the communication port. The RS-232 printer port is only for printing only.

(2) K at the end of a catalog number means the terminal is conformal-coated.

(3) This terminal does not have an RS-232 printer port. Use the communication port to download or upload application files.

Table 8 - PanelView 300 Micro Terminals

| Cat. No. ⁽¹⁾ | Input | Display | | Communication | Power | Nonvolatile Memory |
|-------------------------|--------|---------|------------|-----------------------------------|-------|--------------------|
| | | Size | Type | | | |
| 2711-M3A18L1 | Keypad | 3 in. | Monochrome | RS-232 (DF1) 8-pin mini DIN | DC | 240 KB |
| 2711-M3A19L1 | Keypad | | | RS-232 (DH-485) 8-pin mini DIN | DC | 240 KB |

(1) These terminals do not have an RS-232 printer port. Use the communication port to upload and download application files.

Table 9 - PanelView Standard 600 Terminals

| Cat. No. | | | Display | | Communication Ports | | Memory Nonvolatile/RAM |
|-----------------------|----------------------|-----------------------------|---------|-------|--------------------------------|------------------------|------------------------|
| Keypad ⁽¹⁾ | Touch ⁽¹⁾ | Keypad/Touch ⁽¹⁾ | Size | Type | Comm | RS-232 Print | |
| 2711-K6C2 | 2711-T6C2L1 | 2711-B6C2 | 5 in. | Color | DH-485 ⁽²⁾ | No | 240 KB/170 KB |
| 2711-K6C3 | 2711-T6C3L1 | 2711-B6C3 | | | DH-485 ⁽²⁾ | Yes | 240 KB/170 KB |
| 2711-K6C5 | 2711-T6C5L1 | 2711-B6C5 | | | RS-232 (DH-485) ⁽²⁾ | No | 240 KB/170 KB |
| 2711-K6C9 | 2711-T6C9L1 | 2711-B6C9 | | | RS-232 (DH-485) ⁽²⁾ | Yes | 240 KB/170 KB |
| 2711-K6C1 | 2711-T6C1L1 | 2711-B6C1 | | | Remote I/O | Yes | 240 KB/170 KB |
| 2711-K6C8 | 2711-T6C8L1 | 2711-B6C8 | | | DH+ | Yes | 240 KB/170 KB |
| 2711-K6C10 | 2711-T6C10L1 | 2711-B6C10 | | | DeviceNet | Yes | 240 KB/170 KB |
| 2711-K6C15 | 2711-T6C15L1 | 2711-B6C15 | | | ControlNet | Yes | 240 KB/170 KB |
| 2711-K6C16 | 2711-T6C16L1 | 2711-B6C16 | | | RS-232 (DF1) | Yes (download also) | 240 KB/170 KB |
| 2711-K6C20 | 2711-T6C20L1 | 2711-B6C20 | | | EtherNet/IP | Yes | 240 KB/170 KB |

(1) Touch terminals support DC power only as indicated by L1 at the end of the catalog number. To order a keypad or keypad/touch terminal with DC power, add L1 to the cat. no., for example, 2711-K6C3L1.

(2) Terminals with DH-485 communication require that you upload or download applications by using the communication port. The RS-232 port on these terminals is for printing only.

Table 10 - PanelView Standard 550 Terminals

| Cat. No. | | | Display | | Communication Ports | | Memory Nonvolatile/RAM |
|-------------------------------|----------------------|-----------------------------------|---------|------------|--------------------------------|------------------------|------------------------|
| Keypad ^{(1) (2) (3)} | Touch ⁽¹⁾ | Keypad/Touch ⁽¹⁾⁽²⁾⁽³⁾ | Size | Type | Comm | RS-232 Print | |
| 2711-K5A2 | 2711-T5A2L1 | 2711-B5A2 | 5.5 in. | Monochrome | DH-485 ⁽⁴⁾ | No | 240 KB/170 KB |
| 2711-K5A3 | 2711-T5A3L1 | 2711-B5A3 | | | DH-485 ⁽⁴⁾ | Yes | 240 KB/170 KB |
| 2711-K5A5 | 2711-T5A5L1 | 2711-B5A5 | | | RS-232 (DH-485) ⁽⁴⁾ | No | 240 KB/170 KB |
| 2711-K5A9 | 2711-T5A9L1 | 2711-B5A9 | | | RS-232 (DH-485) ⁽⁴⁾ | Yes | 240 KB/170 KB |
| 2711-K5A1 | 2711-T5A1L1 | 2711-B5A1 | | | Remote I/O | Yes | 240 KB/170 KB |
| 2711-K5A8 | 2711-T5A8L1 | 2711-B5A8 | | | DH+ | Yes | 240 KB/170 KB |
| 2711-K5A10 | 2711-T5A10L1 | 2711-B5A10 | | | DeviceNet | Yes | 240 KB/170 KB |
| 2711-K5A15 | 2711-T5A15L1 | 2711-B5A15 | | | ControlNet | Yes | 240 KB/170 KB |
| 2711-K5A16 | 2711-T5A16L1 | 2711-B5A16 | | | RS-232 (DF1) | Yes (download also) | 240 KB/170 KB |
| 2711-K5A20 | 2711-T5A20L1 | 2711-B5A20 | | | EtherNet/IP | Yes | 240 KB/170 KB |

(1) Touch terminals support DC power only as indicated by L1 at the end of the catalog number. To order a keypad or keypad/touch terminal with DC power, add L1 to the cat. no., for example, 2711-K5A10L1.

(2) Add L2 to the cat. no. of keypad or keypad/touch terminals to order a stainless steel terminal with AC power, for example, 2711-K5A5L2.

(3) Add L3 to the cat. no. of keypad or keypad/touch terminals to order a stainless steel terminal with DC power, for example, 2711-BFA10L3.

(4) Terminals with DH-485 communication require that you upload or download applications by using the communication port. The RS-232 port on these terminals is for printing only.

Table 11 - PanelView Standard 1000 Terminals

| Cat. No. | | Display | | Communication Ports | | Input Power | Memory Nonvolatile/RAM |
|-----------------------|----------------------|---------|-----------|--------------------------------|---------------------|-------------|------------------------|
| Keypad ⁽¹⁾ | Touch ⁽¹⁾ | Size | Type | Comm | RS-232 Print | | |
| 2711-K10C3 | 2711-T10C3 | 10 in. | Color | DH-485 ⁽²⁾ | Yes | AC | 1008 KB/310 KB |
| 2711-K10C9 | 2711-T10C9 | | | RS-232 (DH-485) ⁽²⁾ | Yes | AC | 1008 KB/310 KB |
| 2711-K10C1 | 2711-T10C1 | | | Remote I/O | Yes | AC | 1008 KB/310 KB |
| 2711-K10C8 | 2711-T10C8 | | | DH+ | Yes | AC | 1008 KB/310 KB |
| 2711-K10C10 | 2711-T10C10 | | | DeviceNet | Yes | AC | 1008 KB/310 KB |
| 2711-K10C15 | 2711-T10C15 | | | ControlNet | Yes | AC | 1008 KB/310 KB |
| 2711-K10C16 | 2711-T10C16 | | | RS-232 (DF1) | Yes (download also) | AC | 1008 KB/310 KB |
| 2711-K10C20 | 2711-T10C20 | | | EtherNet/IP | Yes | AC | 1008 KB/310 KB |
| 2711-K10G3 | 2711-T10G3 | 10 in. | Grayscale | DH-485 ⁽²⁾ | Yes | AC | 1008 KB/310 KB |
| 2711-K10G9 | 2711-T10G9 | | | RS-232 (DH-485) ⁽²⁾ | Yes | AC | 1008 KB/310 KB |
| 2711-K10G1 | 2711-T10G1 | | | Remote I/O | Yes | AC | 1008 KB/310 KB |
| 2711-K10G8 | 2711-T10G8 | | | DH+ | Yes | AC | 1008 KB/310 KB |
| 2711-K10G10 | 2711-T10G10 | | | DeviceNet | Yes | AC | 1008 KB/310 KB |
| 2711-K10G15 | 2711-T10G15 | | | ControlNet | Yes | AC | 1008 KB/310 KB |
| 2711-K10G16 | 2711-T10G16 | | | RS-232 (DF1) | Yes (download also) | AC | 1008 KB/310 KB |
| 2711-K10G20 | 2711-T10G20 | | | EtherNet/IP | Yes | AC | 1008 KB/310 KB |

(1) Add L1 to the end of a cat. no. to order a terminal with DC power, for example, 2711-K10C3L1 or 2711-K10G3L1.

(2) Terminals with DH-485 communication require that you upload or download applications by using the communication port. The RS-232 port on these terminals is for printing only.

Accessories

Tables 12... 19 list accessories available for PanelView Standard terminals.

Table 12 - ATA Memory Cards

| Cat. No. | Description |
|------------|--|
| 2711-NM13 | 2 MB flash memory card |
| 2711-NM14 | 4 MB flash memory card |
| 2711-NM15 | 10 MB flash memory card |
| 2711-NM232 | 32 MB flash memory card |
| 2711-NMCC | Memory card retainer for PanelView Standard 550, 600, 1000 keypad, or keypad and touch terminals |
| 2711-NMCD | Memory card retainer for PanelView Standard 550 touch-screen only terminals |
| 2711-NMCE | Memory card retainer for PanelView Standard 300 and 600 touch-screen only terminals |

Table 13 - Function Key Legend Inserts

| Cat. No. | PanelView Standard Terminal Model ⁽¹⁾ | Description |
|----------|--|----------------------------|
| 2711-NF1 | 550 | Function key legend strips |
| 2711-NF4 | 600 | Function key legend strips |
| 2711-NF6 | 1000 | Function key legend strips |
| 2711-NF7 | 300 | Function key legend strips |

(1) Applies to keypad and keypad/touch-screen terminals.

Table 14 - Antiglare Overlays

| Cat. No. ⁽¹⁾ | PanelView Standard Terminal Model | Input Type | | |
|-------------------------|-----------------------------------|------------|-------|-----------|
| | | Keypad | Touch | Key/Touch |
| 2711-NV4 | 550 | • | | • |
| 2711-NV4T | 550 and 600 | | • | |
| 2711-NV5 | 600 | • | | • |
| 2711-NV6K | 1000/1000e | • | | |
| 2711-NV6T | 1000/1000e | | • | |
| 2711-NV7K | 1400 | • | | |
| 2711-NV7T | 1400 | | • | |
| 2711-NV8 | 300 | • | | |

(1) Three overlays are shipped with each catalog number.

Table 15 - Backlight Replacements

| Cat. No. | PanelView Standard Terminal Model | Series |
|----------|-----------------------------------|--------|
| 2711-NL1 | 550 | A...G |
| 2711-NL3 | 600 keypad or keypad/touch | A, B |
| 2711-NL5 | 600 keypad or keypad/touch | C |

Table 15 - Backlight Replacements

| Cat. No. | PanelView Standard Terminal Model | Series |
|-----------|-----------------------------------|--------|
| 2711-NL6 | 1000 color | B |
| | 1000e color | D |
| 2711-NL7 | 1000 color | C |
| 2711-NL9 | 1000 color | D, E |
| | 1000 grayscale | C, D |
| 2711-NL10 | 1000 color | F |
| | 1000 grayscale | E |

Table 16 - Real-time Clock Replacements

| Cat. No. | Description | PanelView Standard Terminal Model | Series |
|----------|-----------------------------|-----------------------------------|-------------|
| 2711-NB3 | Real-time clock replacement | 550 keypad and keypad/touch | E, F |
| | | 600 keypad and keypad/touch | A, B |
| | | 1000 keypad and touch | A, B |
| | | 1400 | |
| 2711-NB4 | Real-time clock replacement | 300 keypad | 8 |
| | | 550 or 600 touch only | |
| | | 550 keypad or keypad/touch | G and later |
| | | 600 keypad or keypad/touch | C and later |
| | | 1000 keypad or touch | C and later |

Table 17 - Mounting Hardware

| Cat. No. | Description |
|----------|---|
| 2711-NP2 | Replacement mounting clips for PanelView 600, 1000, and 1000e touch-screen and keypad terminals |

Table 18 - Power Supply and Terminal Block

| Cat. No. | Description |
|-----------|--|
| 1747-NP1 | 105...132V AC wallmount power supply provides power to 1747-PIC converter when an SLC controller or network is not connected. Separate operating/programming cable required. |
| 2711-TBDC | DC power terminal block for PanelView Micro 300, and PanelView 400 and 600 terminals. Quantity of 10. |

Table 19 - Interface Modules

| Cat. No. | Description |
|--------------|--|
| 1747-PIC | Personal computer interface converter converts RS-232 signals to/from DH-485 signals |
| 1747-AIC | Isolated link coupler for DH-485 network |
| 1761-NET-AIC | Micrologix advanced interface converter module |

PanelBuilder32 Software



PanelBuilder32 software supports the entire family of PanelView Standard terminals, allowing for easy conversion and reuse of existing applications. This 32-bit software package runs on a Microsoft Windows 2000, ME, XP, or Vista operating system.

Table 20 - PanelBuilder32 Software

| Cat. No. | Description | Language |
|------------|---|----------|
| 2711-ND3 | PanelBuilder32 configuration software for PanelView Standard terminals. | English |
| 2711-ND3DE | PanelBuilder32 configuration software for PanelView Standard terminals. | German |
| 2711-ND3ES | PanelBuilder32 configuration software for PanelView Standard terminals. | Spanish |
| 2711-ND3FR | PanelBuilder32 configuration software for PanelView Standard terminals. | French |
| 2711-ND3CN | PanelBuilder32 configuration software for PanelView Standard terminals. | Chinese |

PanelBuilder32 features an intuitive development environment to simplify application design and reduce development time. Application screens are configured using standard tools, objects, graphics, and imported bitmaps. Time-saving advantages include cut/copy/paste and tag import/export capabilities in and between PanelView applications. In addition, multiple applications can be open at the same time.

Application files can be uploaded or downloaded directly between the computer and terminal, over the network, via a pass-through or gateway connection, or using an ATA memory card.

Table 21 - Software Features

| Push Buttons/Selector Switches | Screen Selectors | Data Entry |
|--|---|--|
| <ul style="list-style-type: none"> • Momentary NO, NC • Maintained • Latched • Multistate • Control List Selector | <ul style="list-style-type: none"> • Screen Security • GoTo Screen Button • Previous Screen Button • Screen Selector • GoTo Config Screen Button | <ul style="list-style-type: none"> • Numeric Keypad • Cursor Point for Numeric Entry • Keypad Enable for Numeric Entry • Cursor Point for ASCII Entry • Keypad Enable for ASCII Entry |
| Information Displays | Alarm Diagnostics | Graphics |
| <ul style="list-style-type: none"> • Analog Gauges • Bar Graph • Message Display • Multistate/List Indicator • Numeric Data Display • Time and Date Displays • ASCII Display • Print Only Messages | <ul style="list-style-type: none"> • Alarm Banner • Alarm List - Active, History • Clear Alarm List Button • Print Alarm List Button • Acknowledge Alarm Button • Clear Alarm Button • Print Alarm Button • Acknowledge All Alarms Button | <ul style="list-style-type: none"> • Line/Connected Line • Rectangle/Circle/Ellipse • Free Drawings • ISA Symbols • Custom Graphics • Text • Linear/Circular Scale • Resizable Bitmaps |

Cables

This table summarizes cables and interface modules used by the PanelView Standard terminals.

Table 22 - Cables

| Cat. No. | Description | Length |
|--------------------------|---|----------------|
| 1747-PIC | Personal computer interface converter - converts RS-232 signals to/from DH-485 signals | — |
| 1747-C10 | RS-232 operating/program cable, 9-pin D-shell to 9-pin D-shell 2711-xxA2, 2711-xxA3, 2711-xxC2, 2711-xxG3 | 1.8 m (6 ft) |
| 1747-C11 | | 0.3 m (1 ft) |
| 1747-C20 | | 6 m (20 ft) |
| 2706-NC13 ⁽¹⁾ | RS-232 operating/program cable, 9-pin D-shell to 9-pin D-shell | 3 m (10 ft) |
| 2711-NC13 ⁽¹⁾ | RS-232 operating/program cable, 9-pin D-shell to 9-pin D-shell | 5 m (16.4 ft) |
| 2711-NC14 ⁽¹⁾ | RS-232 operating/program cable, 9-pin D-shell to 9-pin D-shell | 10 m (32.7 ft) |
| 2711-NC17 | Remote RS-232 cable assembly, 9-pin D-shell to 9-pin D-shell Provides a 9-pin RS-232 port assembly for remote serial port access. For PanelView Standard, PanelView 1000e/1400e series F and later terminals. | 3 m (10 ft) |
| 2711-NC21 ⁽²⁾ | RS-232 operating cable, 9-pin D-shell to 8-pin mini DIN | 5 m (16.4 ft) |
| 2711-NC22 | RS-232 operating cable, 9-pin D-shell to 8-pin mini DIN | 15 m (49 ft) |
| 2711-CBL-HM05 | RS-232 operating cable, 8-pin mini DIN to 8-pin mini DIN PanelView 300 Micro to MicroLogix controller | 5 m (16.4 ft) |
| 2711-CBL-HM10 | | 10 m (32.7 ft) |
| 2711-CBL-PM05 | RS-232 operating/programming cable, 9-pin D-shell to 8-pin mini DIN PanelView 300 Micro to SLC or PLC controller | 5 m (16.4 ft) |
| 2711-CBL-PM10 | | 10 m (32.7 ft) |
| 1761-CBL-AM00 | RS-232 operating cable, 8-pin mini DIN to 8-pin mini DIN PanelView 300 Micro to MicroLogix controller | 0.5 m (1.5 ft) |
| 1761-CBL-HM02 | | 2 m (6.5 ft) |
| 1761-CBL-AP00 | RS-232 operating/programming cable, 9-pin D-shell to 8-pin mini DIN PanelView 300 Micro to SLC or PLC controller | 0.5 m (1.5 ft) |
| 1761-CBL-PM02 | | 2 m (6.5 ft) |

(1) Cable used for operation/communication with PanelView Standard 2711-xxx5, 2711-xxx9, 2711-xxx16, 2711-xxx17 terminals. Cable used for application file transfer or printing with 2711-xxx1, 2711-xxx3, 2711-xxx8, 2711-xxx9, 2711-xxx10, 2711-xxx15, 2711-xxx16, 2711-xxx17, 2711-xxx20.

(2) Null-modem not required.

Application Upload/Download Cables

This table summarizes cables used by the PanelView Standard terminals to upload and download application files between a computer and the terminal.

Table 23 - Application Transfer Cables

| PanelView Standard Terminal | Cable to Computer |
|--|---|
| PanelView 300 Micro 2711-M3A18L1, 2711-M3A19L1 | 1761-CBL-PM02 (2 m/6.5 ft) 1761-CBL-PM05 (5 m/16 ft) 1761-CBL-PM10 (10 m/32 ft) |
| PanelView 300 to 1000 DH-485 comm port only or DH-485 comm port and RS-232 printer port 2711-xxx2, 2711-xxx3 | 1747-UIC |
| PanelView 300 to 1000 RS-232 comm port only or RS-232, DH+, ControlNet, DeviceNet, or Remote I/O comm port and RS-232 printer port 2711-xxx1, 2711-xxx5, 2711-xxx8, 2711-xxx9, 2711-xxx10, 2711-xxx15, 2711-xxx16, 2711-xxx17 | 2711-NC13 (5 m/16 ft) 2711-NC14 (10 m/32 ft) |
| PanelView 550 to 1000 EtherNet/IP comm port and RS-232 printer port 2711-xxx20 | Ethernet cable |

Runtime Communication Cables

Tables 24...27 provide a summary of PanelView Standard connections to controllers and interface modules for runtime communication.

Table 24 - Runtime Communication Cables: PanelView Standard Terminals to SLC Controllers

| Protocol | PanelView Standard Comm Port | SLC 500, 5/01, 5/02 CH1 RJ45 (DH-485) | SLC 5/03, 5/04, 5/05 CH0 (9-pin RS-232) (DF1 or DH-485) | SLC 5/03 CH1 (RJ45) (DH-485) | SLC 5/04 CH1 (DH+) | SLC 5/05 CH1 (ENET) |
|-------------|--|--|---|--|---|--|
| DF1 | RS-232 (DF1) port (8-pin mini DIN) PanelView 300 Micro 2711-xxx18 | — | 1761-CBL-AP00 (0.5 m/1.5) 1761-CBL-PM02 (2 m/6.5) 2711-CBL-PM05 (5 m/16 ft) 2711-CBL-PM10 (10 m/32 ft) | — | — | — |
| | RS-232 (DF1) port (9-pin) PanelView 300 to 1400 2711-xxx16, 2711-xxx17 | — | 2711-NC13 (5 m/16 ft) 2711-NC14 (10 m/32 ft) | — | — | — |
| DH-485 | RS-232 (DH-485) (8-pin mini DIN) PanelView 300 Micro 2711-xxx19 | Use AIC+ module (1761-NET-AIC) to connect to port 1 or 2 | 1761-CBL-AP00 (0.5 m/1.5) 1761-CBL-PM02 (2 m/6.5) 2711-CBL-PM05 (5 m/16 ft) 2711-CBL-PM10 (10 m/32 ft) | Use AIC+ module (1761-NET-AIC) to connect to port 1 or 2 | — | — |
| | DH-485 port (9-pin) PanelView 300 to 1400 2711-xxx5, 2711-xxx9 | Use AIC+ module (1761-NET-AIC) to connect to port 1 or 2 | 2711-NC13 (5 m/16 ft) 2711-NC14 (10 m/32 ft) | Use AIC+ module (1761-NET-AIC) to connect to port 1 or 2 | — | — |
| | DH-485 port (RJ45) PanelView 300 to 1400 2711-xxx2, 2711-xxx3 | 1747-C10 (2 m/6 ft) 1747-C11 (0.3 m/1 ft) 1747-C20 (6 m/20 ft) | Use AIC+ module (1761-NET-AIC) to connect to port 3 | 1747-C10 (2 m/6 ft) 1747-C11 (0.3 m/1 ft) 1747-C20 (6 m/20 ft) | — | — |
| DeviceNet | DeviceNet port PanelView 300 to 1400 2711-xxx10 | To SLC 5/02 with 1747-SDN and DeviceNet cable | Use 1747-SDN module and DeviceNet cable | | | |
| ControlNet | ControlNet port PanelView 550T to 1400 2711-xxx15 | — | PanelView terminal does not support SLC ControlNet configurations | | | |
| EtherNet/IP | EtherNet/IP port PanelView 550T to 1400 2711-xxx20 | — | — | — | — | 1585-J-M type cable or 2711P-CBL-EX04 (4 m/14 ft) ⁽¹⁾ |
| Remote I/O | Remote I/O port PanelView 550T to 1400 2711-xxx1 | SLC 5/02 only Use 1747-SN with shielded twinaxial cable (1770-CD) | Use 1747-SN with shielded twinaxial cable (1770-CD) | | | |
| DH+ | DH+ port PanelView 550T to 1400 2711-xxx8 | — | — | — | Shielded twinaxial cable (1770-CD) | — |

(1) EtherNet/IP direct connection from the terminal to an SLC 5/05 controller requires an Ethernet switch or the 2711P-CBL-EX04 crossover cable.

Table 25 - Runtime Communication Cables: PanelView Standard Terminals to PLC-5 and MicroLogix Controllers

| Protocol | PanelView Standard Comm Port | PLC-5, PLC-5C, PLC-5E CH0 (25-pin RS-232) (DF1) | MicroLogix 1500LRP CH1 (9-pin RS-232) MicroLogix 1400 CH2 (9-pin RS-232) (DF1 or DH-485) | MicroLogix 1000, 1100, 1200, 1400, 1500LSP CH0 (8-pin Mini DIN) (DF1 or DH-485) | MicroLogix 1100, 1400 Ethernet |
|-------------|---|--|---|--|--|
| DF1 | RS-232 (DF1) port (8-pin mini DIN) PanelView 300 Micro 2711-xxx18 | 1761-CBL-AP00 (0.5 m/1.5) 1761-CBL-PM02 (2 m/6.5) 2711-CBL-PM05 (5 m/16 ft) 2711-CBL-PM10 (10 m/32 ft) Use 9-pin to 25-pin adapter | 1761-CBL-AP00 (0.5 m/1.5) 1761-CBL-PM02 (2 m/6.5) 2711-CBL-PM05 (5 m/16 ft) 2711-CBL-PM10 (10 m/32 ft) | 1761-CBL-AM00 (0.5 m/1.5) 1761-CBL-HM02 (2 m/6.5) 2711-CBL-HM05 (5 m/16 ft) 2711-CBL-HM10 (10 m/32 ft) ⁽²⁾ | — |
| | RS-232 (DF1) port (9-pin) PanelView 300 to 1400 2711-xxx16, 2711-xxx17 | 2711-NC13 (5 m/16 ft) 2711-NC14 (10 m/32 ft) Use 9-pin to 25-pin adapter | 2711-NC13 (5 m/16 ft) 2711-NC14 (10 m/32 ft) | 2711-NC21 (5 m/16 ft) 2711-NC22 (15 m/49 ft) ⁽²⁾ | — |
| DH-485 | RS-232 (DH-485) (8-pin mini DIN) PanelView 300 Micro 2711-xxx19 | — | 1761-CBL-AP00 (0.5 m/1.5) 1761-CBL-PM02 (2 m/6.5) 2711-CBL-PM05 (5 m/16 ft) 2711-CBL-PM10 (10 m/32 ft) | 1761-CBL-AM00 (0.5 m/1.5) 1761-CBL-HM02 (2 m/6.5) 2711-CBL-HM05 (5 m/16 ft) 2711-CBL-HM10 (10 m/32 ft) ⁽²⁾ | — |
| | RS-232 (DH-485) port (9-pin) PanelView 300 to 1400 2711-xxx5, 2711-xxx9 | — | 2711-NC13 (5 m/16 ft) 2711-NC14 (10 m/32 ft) | 2711-NC21 (5 m/16 ft) 2711-NC22 (15 m/49 ft) ⁽²⁾ | — |
| | DH-485 port (RJ45) PanelView 300 to 1400 2711-xxx2, 2711-xxx3 | — | Use AIC+ module (1761-NET-AIC) to connect to port 3 | Use AIC+ module (1761-NET-AIC) to connect to port 3 | — |
| DeviceNet | DeviceNet port PanelView 300 to 1400 2711-xxx10 | Use 1771-SDN module and DeviceNet cable | Use 1761-NET-DNI module with DeviceNet cable | Use 1761-NET-DNI module with DeviceNet cable | — |
| ControlNet | ControlNet port PanelView 550T to 1400 2711-xxx15 | To PLC-5C with ControlNet cable | — | — | — |
| EtherNet/IP | EtherNet/IP port PanelView 550T to 1400 2711-xxx20 | To PLC-5/E with 1585J-M type cable or 2711P-CBL-EX04 (4 m/14 ft) ⁽¹⁾ | Use 1761-NET-ENI module with Ethernet cable | Use 1761-NET-ENI module with Ethernet cable | 1585J-M type cable or 2711P-CBL-EX04 (4 m/14 ft) ⁽¹⁾ |
| Remote I/O | Remote I/O port PanelView 550T to 1400 2711-xxx1 | Shielded twinaxial cable (1770-CD) | — | — | — |
| DH+ | DH+ port PanelView 550T to 1400 2711-xxx8 | Shielded twinaxial cable (1770-CD) | — | — | — |

(1) For a direct connection between the terminal and controller, use the 2711P-CBL-EX04 crossover cable.

(2) AIC+ module recommended for isolation when PanelView terminal and controller are not using same power supply.

Table 26 - Runtime Communication Cables: PanelView Standard Terminals to Logix Controllers

| Protocol | PanelView Standard Comm Port | ControlLogix CHO (9-pin RS-232) (DF1) | CompactLogix CHO (9-pin RS-232) (DF1 or DH-485) |
|-------------|---|---|---|
| DF1 | RS-232 (DF1) port (8-pin mini DIN) PanelView 300 Micro 2711-xxx18 | 1761-CBL-AP00 (0.5 m/1.5) 1761-CBL-PM02 (2 m/6.5) 2711-CBL-PM05 (5 m/16 ft) 2711-CBL-PM10 (10 m/32 ft) | 1761-CBL-AP00 (0.5 m/1.5) 1761-CBL-PM02 (2 m/6.5) 2711-CBL-PM05 (5 m/16 ft) 2711-CBL-PM10 (10 m/32 ft) |
| | RS-232 (DF1) port (9-pin) PanelView 300 to 1400 2711-xxx16, 2711-xxx17 | 2711-NC13 (5 m/16 ft) 2711-NC14 (10 m/32 ft) | 2711-NC13 (5 m/16 ft) 2711-NC14 (10 m/32 ft) |
| DH-485 | RS-232 (DH-485) (8-pin mini DIN) PanelView 300 Micro 2711-xxx19 | — | 1761-CBL-AP00 (0.5 m/1.5) 1761-CBL-PM02 (2 m/6.5) 2711-CBL-PM05 (5 m/16 ft) 2711-CBL-PM10 (10 m/32 ft) |
| | RS-232 (DH-485) port (9-pin) PanelView 300 to 1400 2711-xxx5, 2711-xxx9 | — | 2711-NC13 (5 m/16 ft) 2711-NC14 (10 m/32 ft) |
| | DH-485 port (RJ45) PanelView 300 to 1400 2711-xxx2, 2711-xxx3 | — | Use AIC+ module (1761-NET-AIC) to connect to port 3 |
| DeviceNet | DeviceNet port PanelView 300 to 1400 2711-xxx10 | Use 1756-DNB module with DeviceNet cable | Use 1761-NET-DNI module with DeviceNet cable |
| ControlNet | ControlNet port PanelView 550T to 1400 2711-xxx15 | Use 1756-CNB module with ControlNet cable | 1769-L35CR, -L32C, 1768-CNB, or 1768-CNBR with ControlNet cable |
| EtherNet/IP | EtherNet/IP port PanelView 550T to 1400 2711-xxx20 | Use 1756-EN2T or 1756-ENBT module with 1585J-M type cable or 2711P-CBL-EX04 (4 m/14 ft) ⁽¹⁾ | Use 1761-NET-ENI module with Ethernet cable |
| Remote I/O | Remote I/O port PanelView 550T to 1400 2711-xxx1 | Use 1756-DHRIO module with shielded twinaxial cable (1770-CD) | — |
| DH+ | DH+ port PanelView 550T to 1400 2711-xxx8 | Use 1756-DHRIO module with shielded twinaxial cable (1770-CD) | — |

(1) For a direct connection between the terminal and controller, use the 2711P-CBL-EX04 crossover cable.

Table 27 - Runtime Communication Cables: PanelView Standard Terminals to Interface Modules

| Protocol | PanelView Plus Comm Port | 1747-AIC | 1761-NET-AIC | | | |
|----------|---|---|---|---|-----------------|---|
| | | | Port 1 (9-pin) | Port 2 8-pin Mini DIN() | Port 3 (DH-485) | 1761-NETDNI or 1771-NET-ENI |
| DF1 | RS-232 (DF1) port (8-pin mini DIN) PanelView 300 Micro 2711-xxx18 | — | 1761-CBL-AP00 (0.5 m/1.5) 1761-CBL-PM02 (2 m/6.5) 2711-CBL-PM05 (5 m/16 ft) 2711-CBL-PM10 (10 m/32 ft) | 1761-CBL-AM00 (0.5 m) 1761-CBL-HM02 (2 m) 2711-CBL-HM05 (5 m) 2711-CBL-HM10 (10 m) | — | 1761-CBL-AM00 (0.5 m) 1761-CBL-HM02 (2 m) 2711-CBL-HM05 (5 m) 2711-CBL-HM10 (10 m) |
| | RS-232 (DF1) port (9-pin) PanelView 300 to 1400 2711-xxx16, 2711-xxx17 | — | 2711-NC13 (5 m/16 ft) 2711-NC14 (10 m/32 ft) | 2711-NC21 (5 m/16 ft) 2711-NC22 (15 m/49 ft) Null modem required ⁽¹⁾ | — | 1761-CBL-AP00 (5 m) 1761-CBL-PM02 (2 m) 2711-CBL-PM05 (5 m) 2711-CBL-PM10 (10 m) |
| DH-485 | RS-232 (DH-485) (8-pin mini DIN) PanelView 300 Micro 2711-xxx19 | — | 1761-CBL-AP00 (0.5 m/1.5) 1761-CBL-PM02 (2 m/6.5) 2711-CBL-PM05 (5 m/16 ft) 2711-CBL-PM10 (10 m/32 ft) | 1761-CBL-AM00 (0.5 m) 1761-CBL-HM02 (2 m) 2711-CBL-HM05 (5 m) 2711-CBL-HM10 (10 m) | — | — |
| | RS-232 (DH-485) port (9-pin) PanelView 300 to 1400 2711-xxx5, 2711-xxx9 | — | 2711-NC13 (5 m/16 ft) 2711-NC14 (10 m/32 ft) | 2711-NC21 (5 m/16 ft) 2711-NC22 (15 m/49 ft) Null modem required ⁽¹⁾ | — | — |
| | DH-485 port (RJ45) PanelView 300 to 1400 2711-xxx2, 2711-xxx3 | 1747-C10 (2 m/6ft) 1747-C11 (0.3 m/1 ft) 1747-C20 (6 m/20 ft) | — | — | — | 1761-CBL-AS03 (3 m/10 ft) 1761-CBL-AS09 (9 m/30 ft) |

(1) Series A cables, cat. no. 2711-NC21, 2711-NC22, for direct connection to 1761-NET-AIC module only. Do not use series A cables on a network of AIC+ modules connected to Belden cables.

Additional Resources

These documents contain additional information concerning related Rockwell Automation products.

| Resource | Description |
|--|---|
| PanelView Standard Operator Terminals User Manual, publication 2711-UM014 | Provides information on installing, configuring, operating, and troubleshooting PanelView Standard terminals. |
| PanelView 300 Keypad Terminals Installation Instructions, publication 2711-IN027 | Provides information on installing the PanelView 300 keypad terminals in a panel. |
| PanelView 300 Micro Terminals Installation Instructions, publication 2711-IN008 | Provides information on installing the PanelView 300 Micro terminals in a panel. |
| PanelView 550 Keypad and Keypad/Touch Installation Instructions, publication 2711-IN009 | Provides information on installing the PanelView 550 keypad and keypad/touch-screen terminals in a panel. |
| PanelView 550/600 Touch-screen Terminal Installation Instructions, publication 2711-IN034 | Provides information on installing the PanelView 550/600 touch-screen terminals in a panel. |
| PanelView 600 Keypad and Keypad/Touch-screen Terminals Installation Instructions, publication 2711-IN010 | Provides information on installing the PanelView 600 keypad/touch-screen terminals in a panel. |
| PanelView 1000 Keypad and Touch-screen Terminals Installation Instructions, publication 2711-IN036 | Provides information on installing the PanelView 1000 terminals in a panel. |
| Industrial Automation Wiring and Grounding Guidelines, publication 1770-4.1 | Provides general guidelines for installing a Rockwell Automation industrial system. |
| Product Certifications website, http://www.ab.com | Provides declarations of conformity, certificates, and other certification details. |

You can view or download publications at <http://www.rockwellautomation.com/literature/>. To order paper copies of technical documentation, contact your local Rockwell Automation distributor or sales representative.

Important User Information

Solid-state equipment has operational characteristics differing from those of electromechanical equipment. Safety Guidelines for the Application, Installation and Maintenance of Solid State Controls (publication [SGI-1.1](#) available from your local Rockwell Automation sales office or online at <http://www.rockwellautomation.com/literature/>) describes some important differences between solid-state equipment and hard-wired electromechanical devices. Because of this difference, and also because of the wide variety of uses for solid-state equipment, all persons responsible for applying this equipment must satisfy themselves that each intended application of this equipment is acceptable.

In no event will Rockwell Automation, Inc. be responsible or liable for indirect or consequential damages resulting from the use or application of this equipment.

The examples and diagrams in this manual are included solely for illustrative purposes. Because of the many variables and requirements associated with any particular installation, Rockwell Automation, Inc. cannot assume responsibility or liability for actual use based on the examples and diagrams.

No patent liability is assumed by Rockwell Automation, Inc. with respect to use of information, circuits, equipment, or software described in this manual.

Reproduction of the contents of this manual, in whole or in part, without written permission of Rockwell Automation, Inc., is prohibited.

Documentation Feedback

Your comments will help us serve your documentation needs better. If you have any suggestions on how to improve this document, complete this form, publication [RA-DU002](#), available at <http://www.rockwellautomation.com/literature/>.

Allen-Bradley, SLC 500, SLC 5/03, DH+, MicroLogix, PanelView 300, PanelView 300 Micro, PanelView 550, PanelView 1000, PanelBuilder32, SLC, CompactLogix, ControlLogix, Rockwell Software, Rockwell Automation, and TechConnect are trademarks of Rockwell Automation, Inc.

Trademarks not belonging to Rockwell Automation are property of their respective companies.

Rockwell Otomasyon Ticaret A.Ş., Kar Plaza İş Merkezi E Blok Kat:6 34752 İçerenköy, İstanbul, Tel: +90 (216) 5698400

www.rockwellautomation.com

Power, Control and Information Solutions Headquarters

Americas: Rockwell Automation, 1201 South Second Street, Milwaukee, WI 53204 USA, Tel: (1) 414.382.2000, Fax: (1) 414.382.4444

Europe/Middle East/Africa: Rockwell Automation, Vorstlaan/Boulevard du Souverain 36, 1170 Brussels, Belgium, Tel: (32) 2 663 0600, Fax: (32) 2 663 0640

Asia Pacific: Rockwell Automation, Level 14, Core F, Cyberport 3, 100 Cyberport Road, Hong Kong, Tel: (852) 2887 4788, Fax: (852) 2508 1846